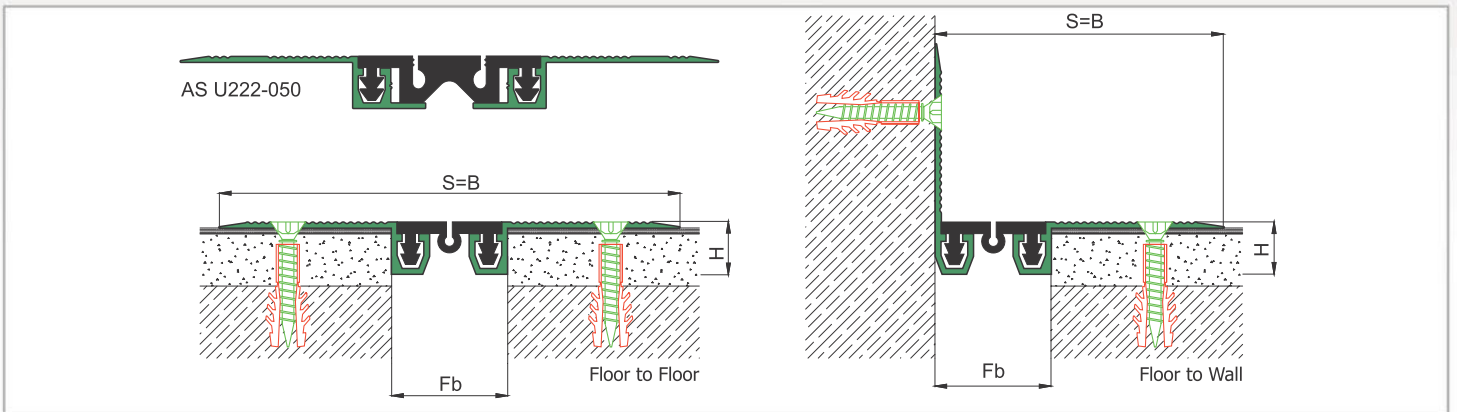
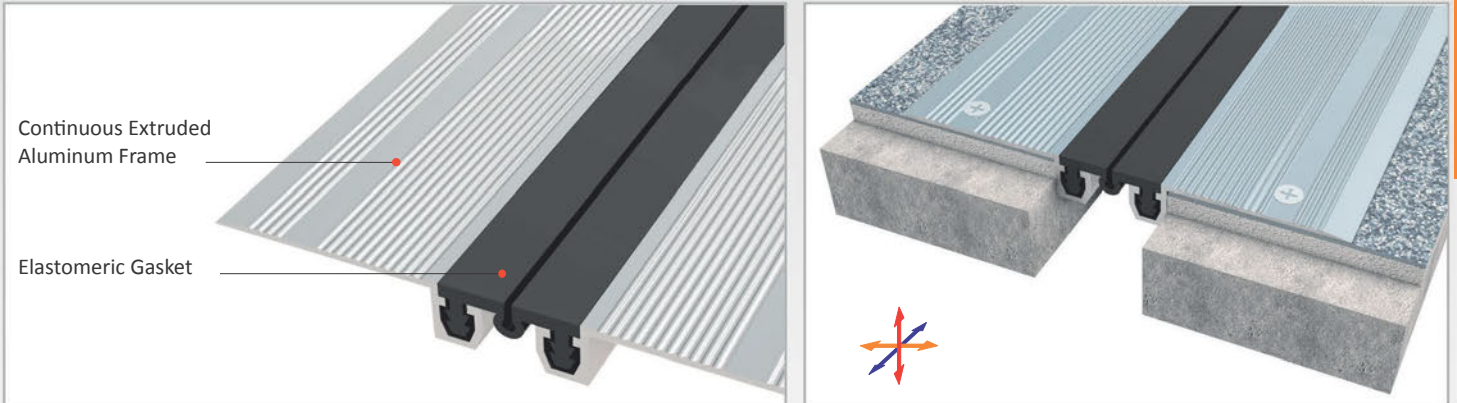


AS U222 surface mounted profile is applicable to all types of floors and load bearing capacity is designed for pedestrian. Push-down elastomeric gasket can quickly be placed into the slot and changed without demounting the profile. Striated surface ensures antislip and profile can be installed in an easy & quick way by means of screws. Narrow frames makes it more economical compared to AS U243 & AS U245 models. Profile can be applied with wall type AS U122 and this dual application brings in a decorative aspect.

- Application Areas** : Indoor & Outdoor / Floor
- Ideal for** : Residences, Offices etc.
- Material** : Mill Finish Aluminum (Anodizing optional), TPE Gasket
- Aluminum Alloy** : 6063 AA-USA / EN AW 6063
- Optional Supplies** : Fire Barrier, Waterproof EPDM membrane

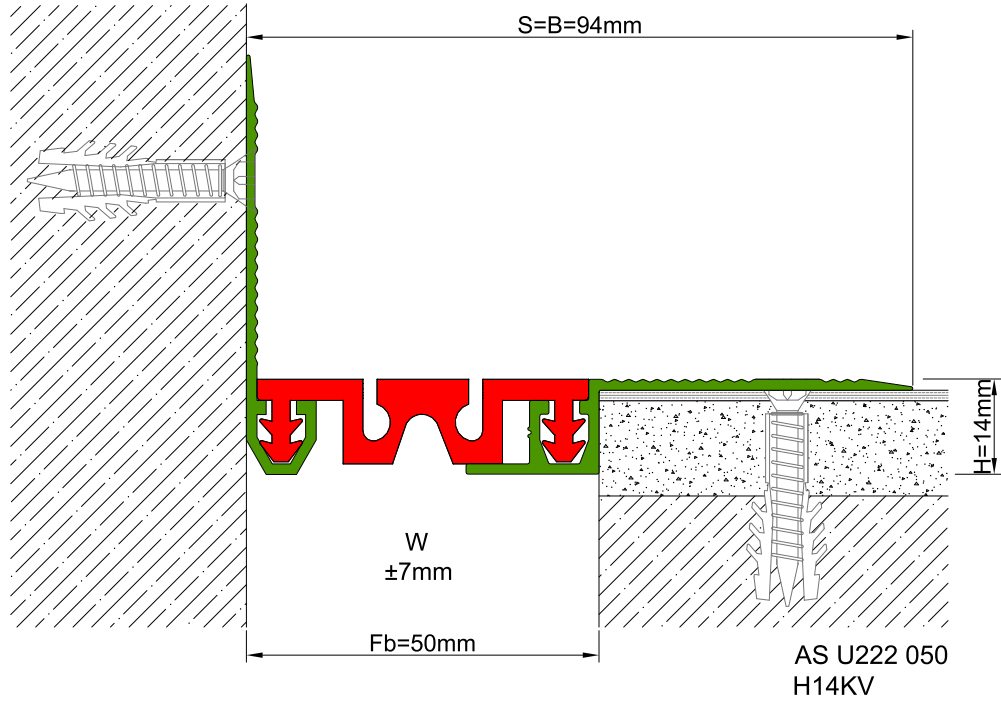
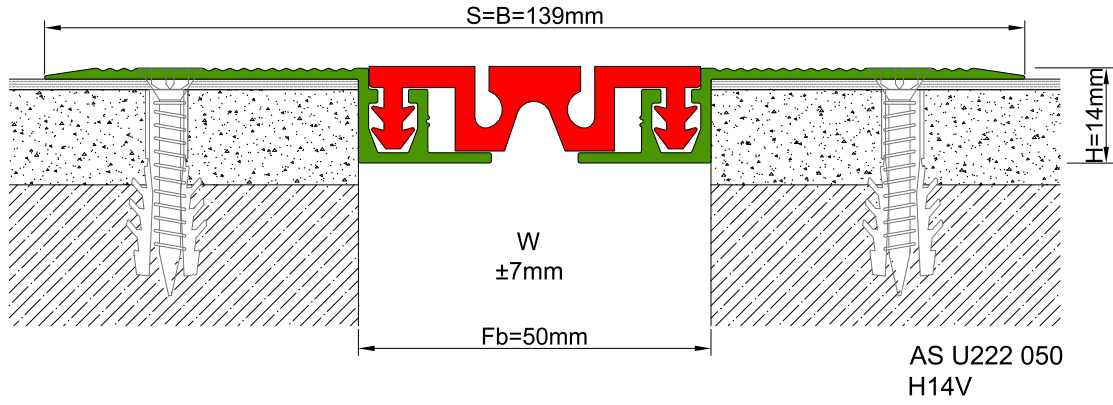


* Visuals are representative and the profile configuration may differ depending on the characteristics requested.



LOCATION	MODEL	GAP (Fb) mm	HEIGHT (H) MM	OVERALL WIDTH (B) mm	VISIBLE WIDTH (S) mm	MOVEMENT (W) mm	LOAD CAPACITY	STANDARD LENGTH (mt)
Floor to Floor	AS U222-030	30	15	119	119	± 5		3
	AS U222-050	50	15	139	139	± 7		3

Note: Please ask for different sizes



Profil No Profile Number	AS U222 050	AS U222 050K
Fb (mm)	50	50
H (mm) yaklaşık approx.	14	14
W± (mm) yaklaşık approx.	±7	±7
Renk Color	Alüminyum: Natürel, Fitiller: Siyah, gri, diğer Aluminum: Natural, Inserts: Black, grey, others	
Malzeme Material	Alüminyum, TPE Termoplastik Elastomer Aluminum, TPE Thermoplastic Elastomer	
Standart Uzunluk Standard Length	3	
Yükleme Kapasitesi Load-Bearing Capacity	